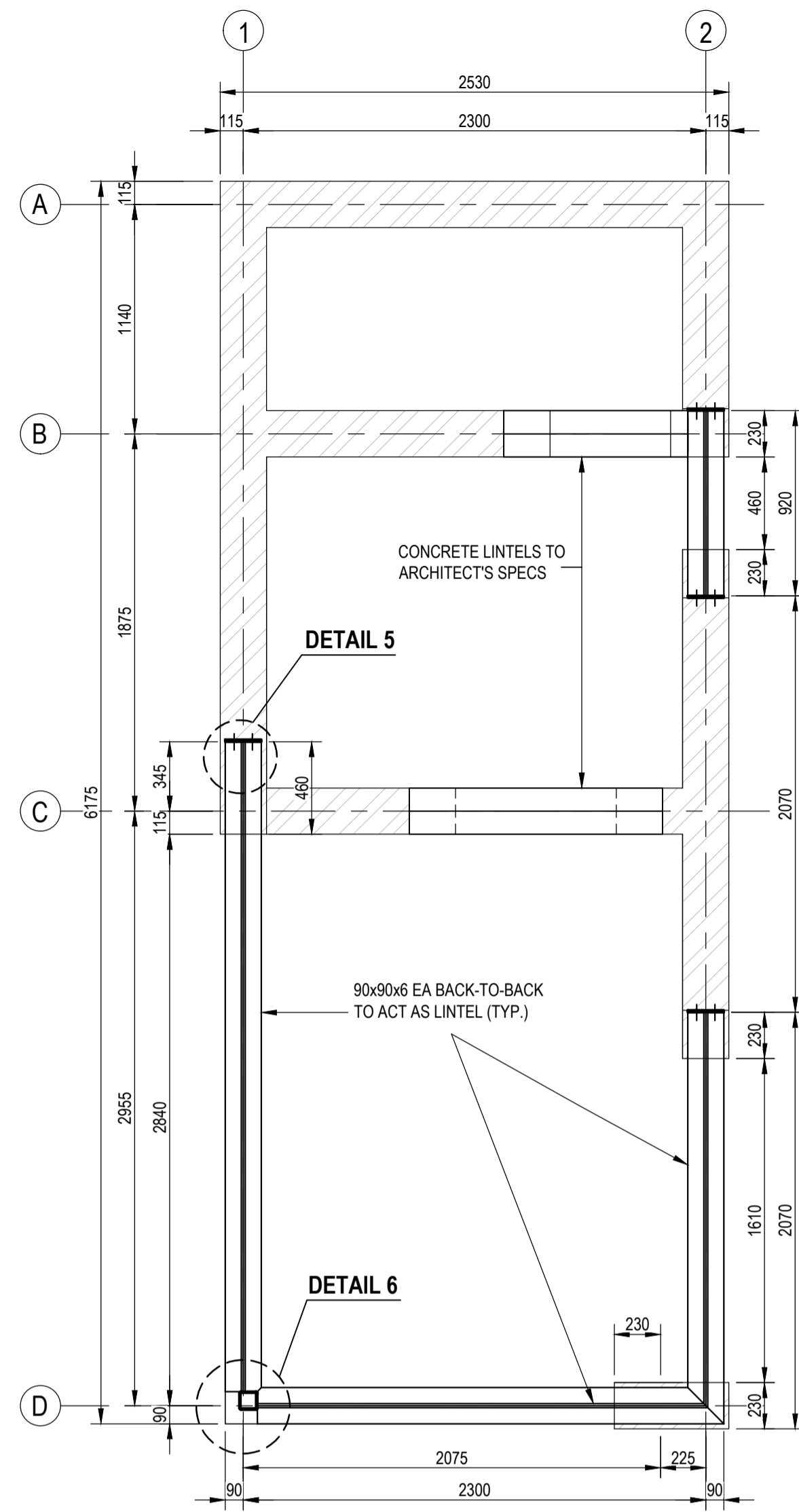
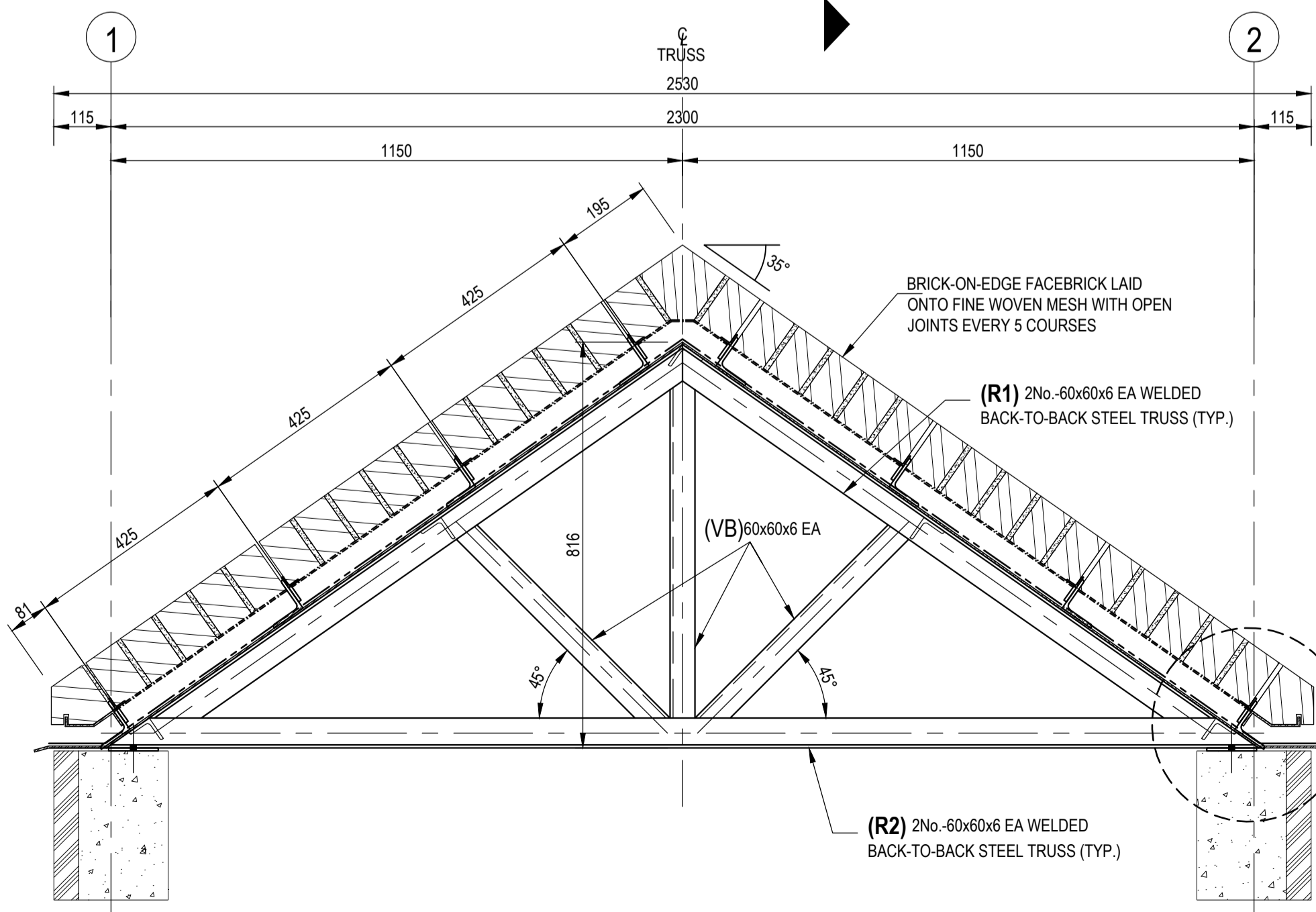


**ROOF LAYOUT**  
SCALE 1:20

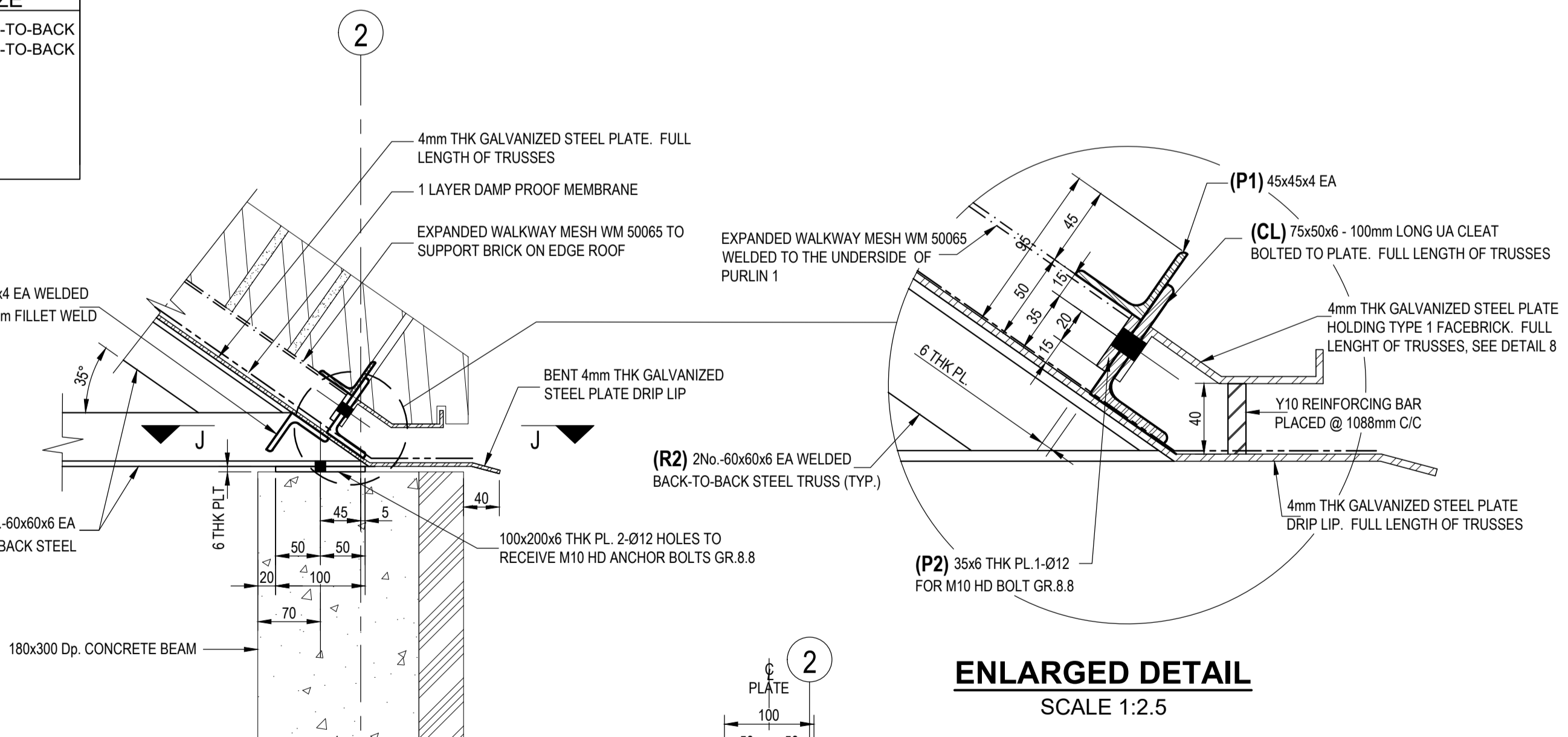


**STEEL LINTEL LAYOUT**  
SCALE 1:25

ITEM	MEMBER	MEMBER SIZE
R1	RAFTER (T)	60x60x6 EA BACK-TO-BACK
R2	RAFTER (B)	60x60x6 EA BACK-TO-BACK
CL	CLEAT	70x50x6 UA
BR1	HOR. BRACING	40x40x4 EA
VB	VERT. BRACING	60x60x6 EA
CB	CROSS BRACING	40x40x4 EA
P1	PURLIN 1	45x45x4 EA
P2	PURLIN 2	35x6mm PLT



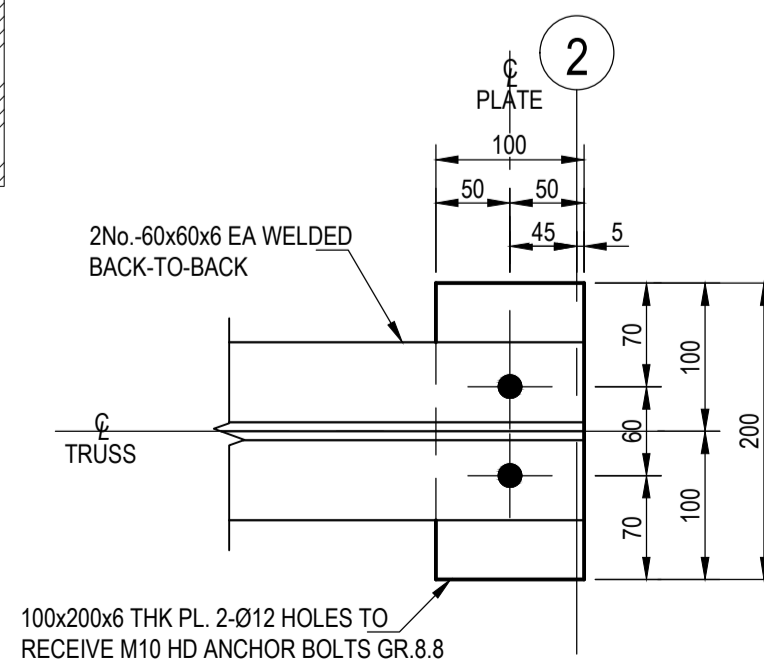
**SECTION F-F**  
SCALE 1:20



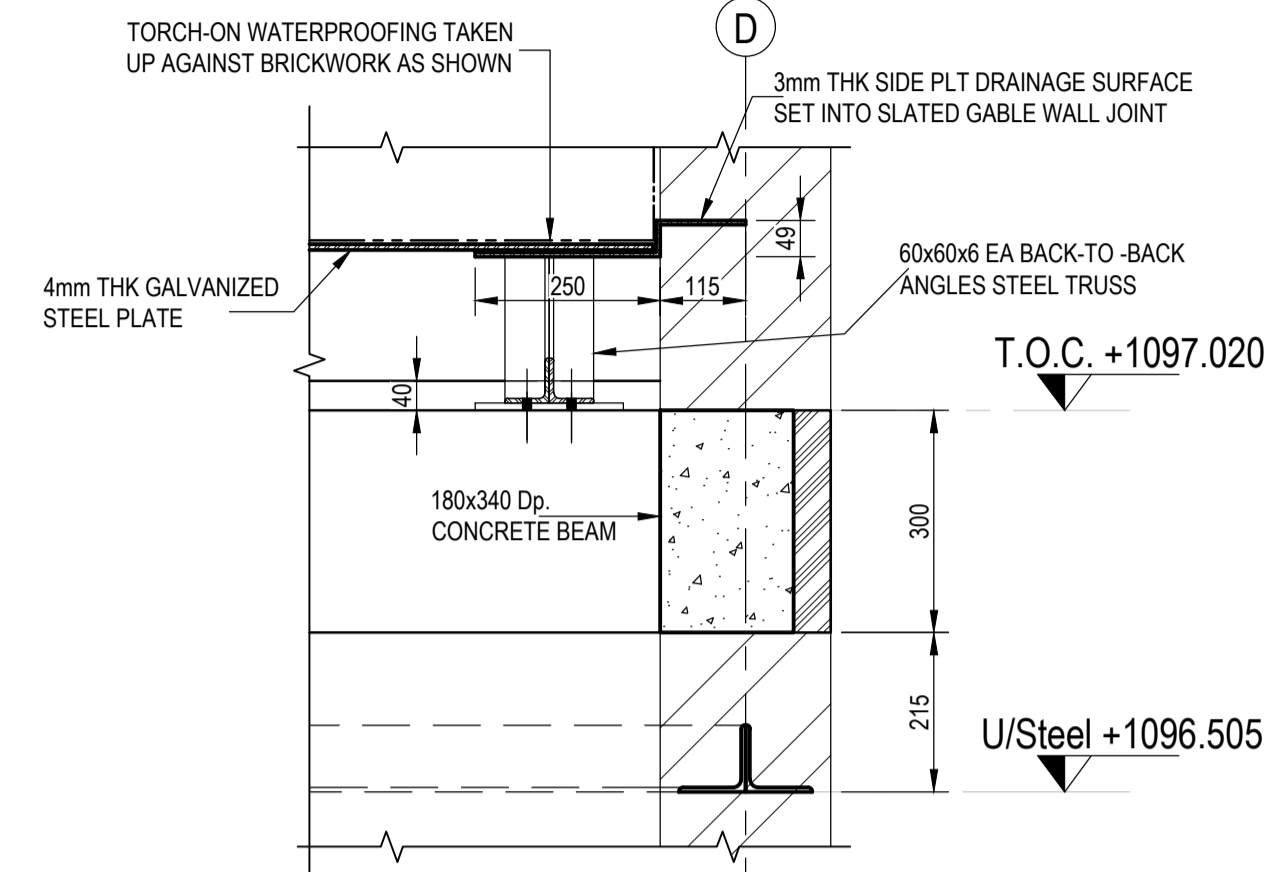
**ENLARGED DETAIL**  
SCALE 1:2.5



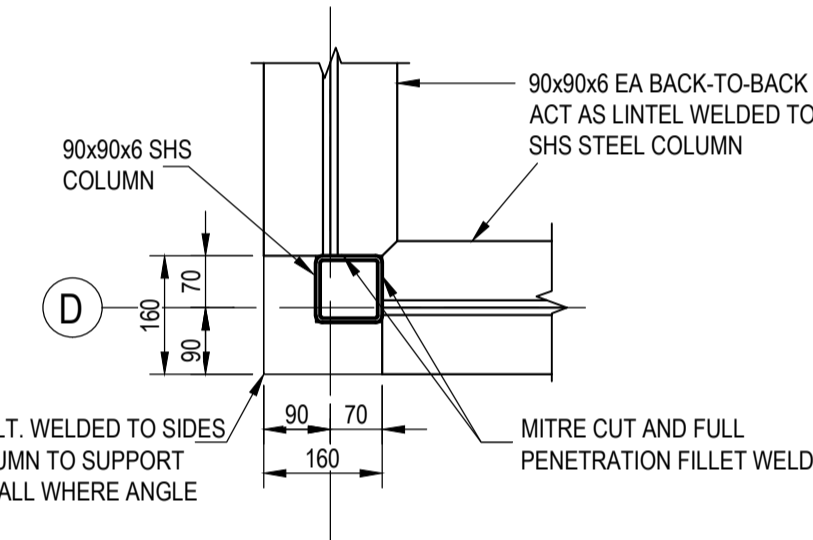
**DETAIL 7**  
SCALE 1:5



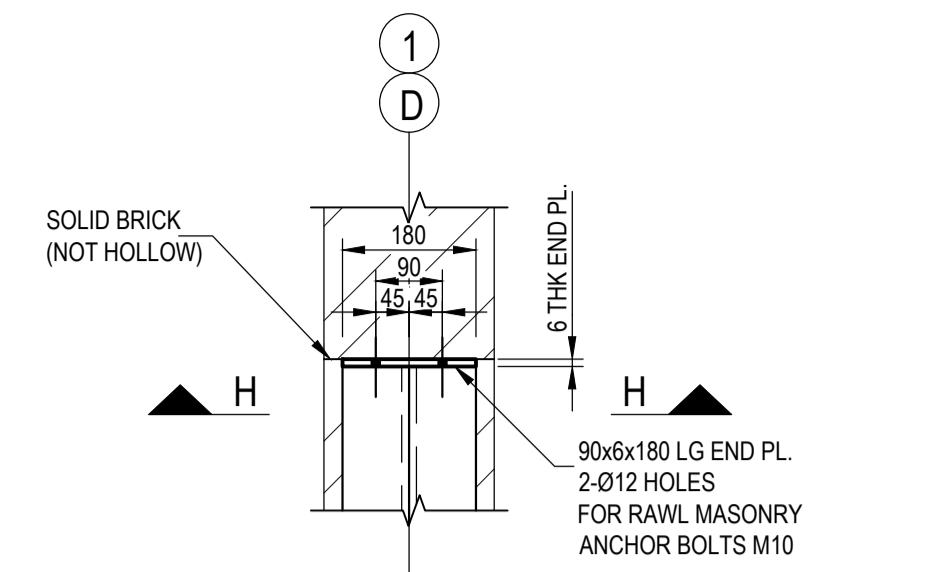
**SECTION J-J**  
SCALE 1:5



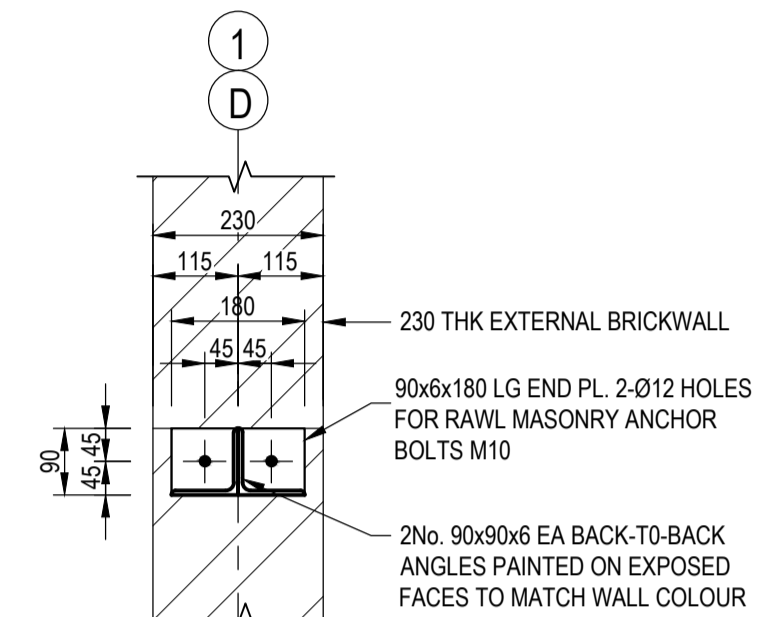
**SECTION G-G**  
SCALE 1:10



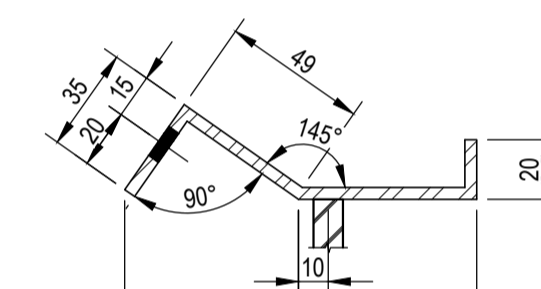
**DETAIL 6**  
SCALE 1:10



**DETAIL 5**  
SCALE 1:10



**SECTION H-H**  
SCALE 1:10



**DETAIL 8: TYPE 1 FACEBRICK PLATE**  
SCALE 1:2.5

**NOTES:**  
 1. READ THIS DRAWING IN CONJUNCTION WITH THE ARCHITECT'S DRAWING AND REFER DISCREPANCIES TO THE ENGINEER IMMEDIATELY.  
 2. FOR CONCRETE AND STEEL NOTES REFER TO DRAWING P.1808-200-S-000

**FOR TENDER**

REV.	DATE	DESCRIPTION	BY
TD	30/03/2021	ISSUED FOR TENDER	NEM

CONSULTANT:

**ADI**  
 (Pty) Ltd  
 BLOCK A 26 VICTORIA LINK  
 ROUTE 21 CORPORATE PARK, IRENE,  
 CENTURION,  
 0062, PRETORIA  
 T: 086 167 6646 E: adi@adiengineering.co.za W: www.adiengineering.co.za

CLIENT:

**TOURISM KWAZULU NATAL**  
 South Africa  
 KWAZULU-NATAL  
 Zulu Kingdom. Exceptional

PROJECT:

**NELSON MANDELA CAPTURE SITE**

PROJECT STATUS:

APPROVED  
 THE MASTER HELD AT ADI ENGINEERING BEARS THE ORIGINAL SIGNATURE OF APPROVAL

SACAP NO: \_\_\_\_\_

SIGNATURE: \_\_\_\_\_ NAME: \_\_\_\_\_ DATE: \_\_\_\_\_

DRAWING TITLE:  
**GATEHOUSE - STEEL ROOF LAYOUT AND DETAILS**

DRAWING UNITS: MILLIMETER

DATE 24/04/2019	SCALE AS SHOWN	DESIGNED BY T.MATAMBO
--------------------	-------------------	--------------------------

CHECKED BY T.NEZANDONYI	DRAWN BY N.MAHLELA	APPROVED BY T.MATAMBO
----------------------------	-----------------------	--------------------------

DRAWING NO P.1808-200-S-002	REV TD
--------------------------------	-----------

File Path