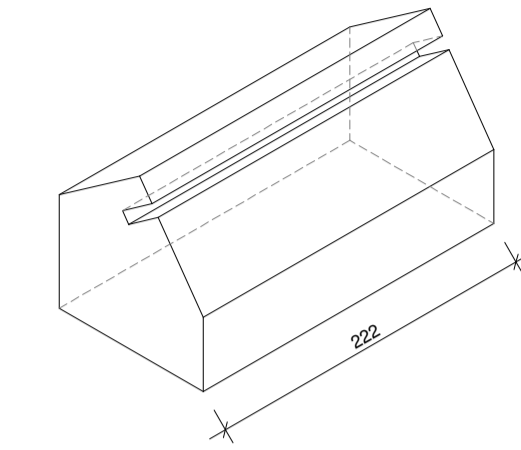


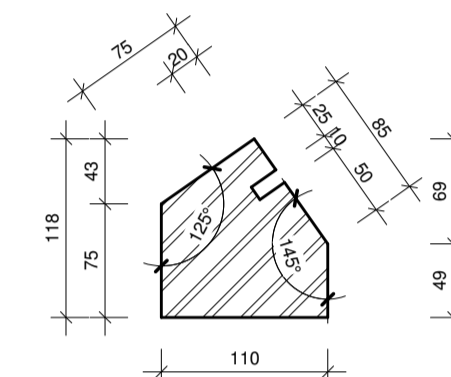
900.01\_DETAIL RD1\_TYPICAL CROSS SECTION ROOF DETAIL

1 : 10

BESPOKE FACEBRICK - TYPE 1 - ROOF EDGE BRICK (TOTAL COUNT: 54)

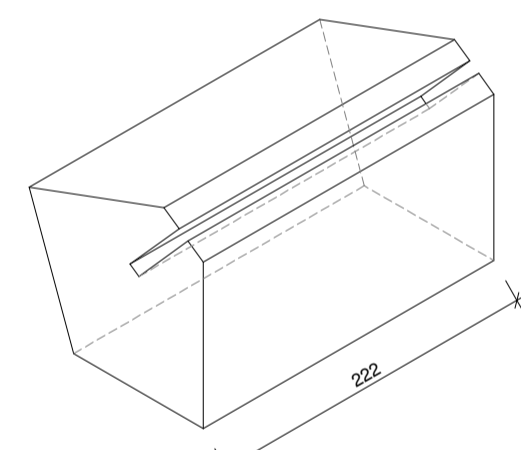


BESPOKE FACEBRICK - TYPE 1 - ROOF EDGE BRICK ISOMETRIC VIEW

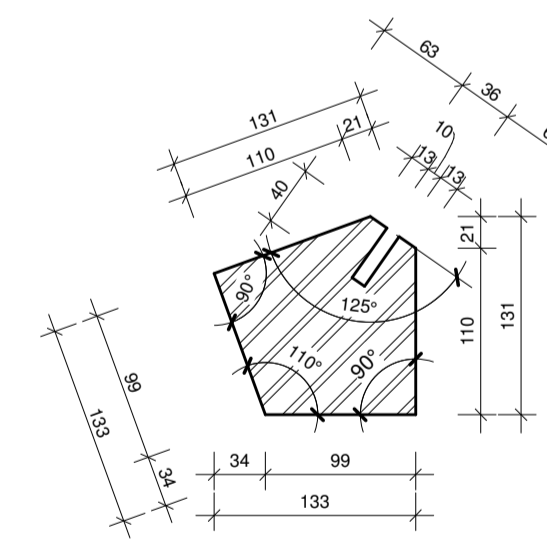


BESPOKE FACEBRICK - TYPE 1 - ROOF EDGE BRICK DETAIL SECTION VIEW

BESPOKE FACEBRICK - TYPE 2 - ROOF RIDGE BRICK (TOTAL COUNT: 27)



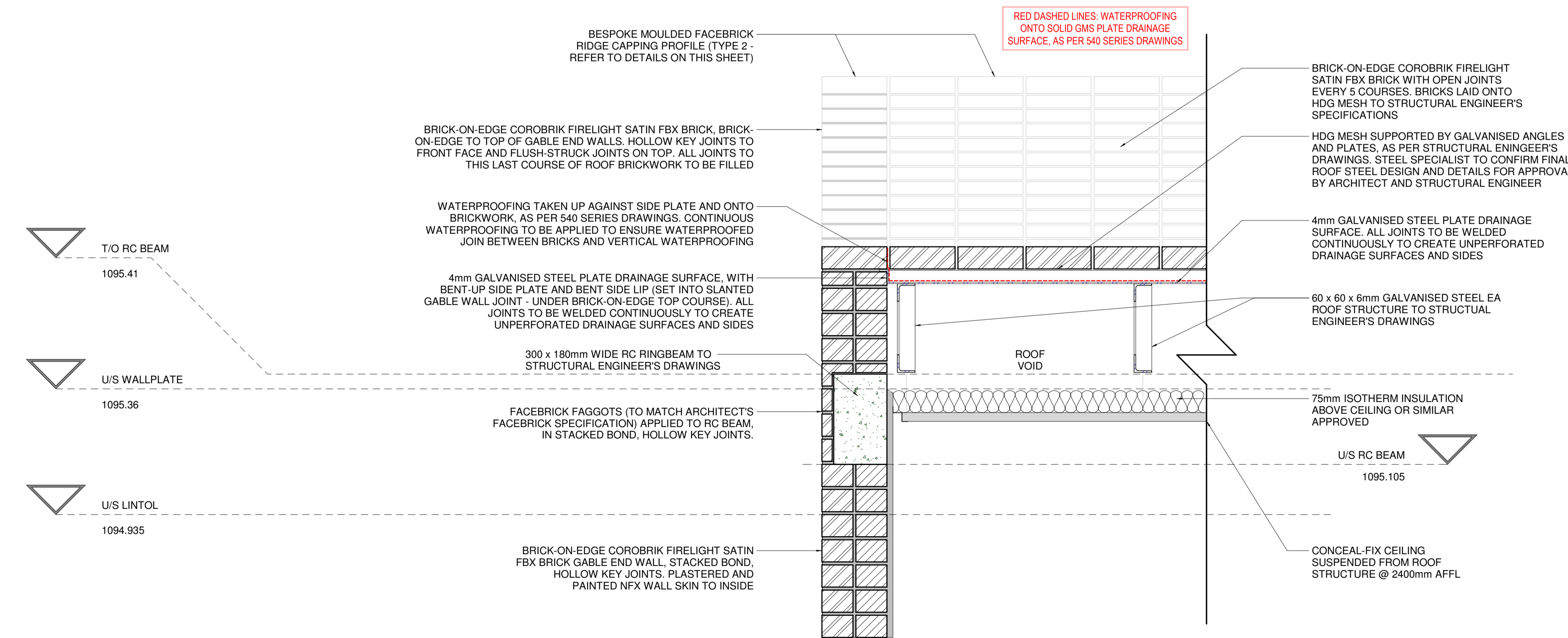
BESPOKE FACEBRICK - TYPE 2 - ROOF RIDGE BRICK ISOMETRIC VIEW



BESPOKE FACEBRICK - TYPE 1 - ROOF EDGE BRICK DETAIL SECTION VIEW

900.01\_BESPOKE MOULDED FACEBRICKS

1 : 5



900.01\_DETAIL RD2\_TYPICAL GABLE END ROOF DETAIL

1 : 10

GENERAL NOTES:

All work is to be done in accordance with the National Building Regulations. All materials and workmanship are to comply with the relevant S.A.B.S. codes and or the specified international codes where applicable in the Architectural specifications. Where relevant South African National Standards, BS codes of practice, or Agreement Certificates applicable to the design exists, the recommendations and requirements of such documents to be considered a minimum standard for the works. The contractor shall in all aspects of the works comply with the provisions of the Occupational Health and Safety Act, 1993 (Act No 85 of 1993) and any regulations promulgated in terms of that Act or the Factories Machinery and Building Works Act of 1941.

The contractor shall set up, document and maintain a quality assurance and quality control system, in accordance with SANS 9001/ISO 9001, able to be checked to the satisfaction of the Architect, that all materials and workmanship, whatever their sources, meet the requirements of the Specification. Should the Contractor or any of his sub-contractors be certified to the SANS 9000 family of standards then monitor these works accordingly. This drawing must be read in conjunction with all the relevant drawings, schedules and specifications and all other consultants related to the project. All portions of the works related to any service or consultant's information is to be done in accordance with the National Building Regulations. This drawing is not to be scaled. Figured dimensions to be used. All dimensions are in millimeters unless otherwise stated.

All dimensions and levels must be checked on site by the contractor before putting work in hand. All work to be executed by competent persons qualified for the specific trade.

STRUCTURAL AND ROOF STEEL NOTES:

- ALL AS-BUILT DIMENSIONS TO BE CONFIRMED ON SITE AND SHOP DRAWINGS SENT TO ARCHITECT AND STRUCTURAL ENGINEER FOR APPROVAL PRIOR TO MANUFACTURING, SUPPLY AND INSTALLATION.
- ALL STEEL DETAILING, SIZES, BUILDABILITY AND MANUFACTURING REQUIREMENTS TO BE CONFIRMED WITH ARCHITECT AND STRUCTURAL ENGINEER PRIOR TO MANUFACTURING, SUPPLY AND INSTALLATION (AS PART OF SHOP DRAWING APPROVAL PROCESS).
- ALL STEEL TO BE GALVANISED, AND AS SPECIFIED BY STRUCTURAL ENGINEER.

REVISIONS

REV	DATE	DESCRIPTION	BY
1	TBC	ISSUED FOR TENDER	TBC

CONSULTANT:

ADI (PTY) LTD  
BLOCK A 26 VICTORIA LNK  
ROUTE 21 CORPORATE PARK, IRENE,  
CENTURION  
0062, PRETORIA  
T: 086 167 6646 E: adi@adiengineering.co.za W: www.adiengineering.co.za

CLIENT

Tourism KwaZulu Natal  
Zulu Kingdom. Exceptional!

PROJECT:

Nelson Mandela Capture Site

PROJECT STATUS:

TENDER

APPROVED

THE MASTER HELD AT ADI INVESTMENT (PTY) LTD. SACAP NO: BEARS THE ORIGINAL SIGNATURE OF APPROVAL

SIGNATURE: NAME: DATE:

DRAWING TITLE:

GATEHOUSE ROOF DETAILS

DRAWING UNITS: MILLIMETER

DATE	SCALE	DESIGNED BY
30/03/2021	As indicated	CIL

CHECKED BY	DRAWN BY	APPROVED BY
CIL	CIL	CIL

DRAWING NO	REV
P.1808- ARC-900-01	1

File Path

C:\Users\adi\OneDrive\Documents\ADIA\ADIA\01\_00\_ARCHITECTURE\PROCUREMENT\4.4\_WORKING DRAWINGS & SPECIFICATIONS\4.4.2021\1808-ARC-900-01-01.dwg