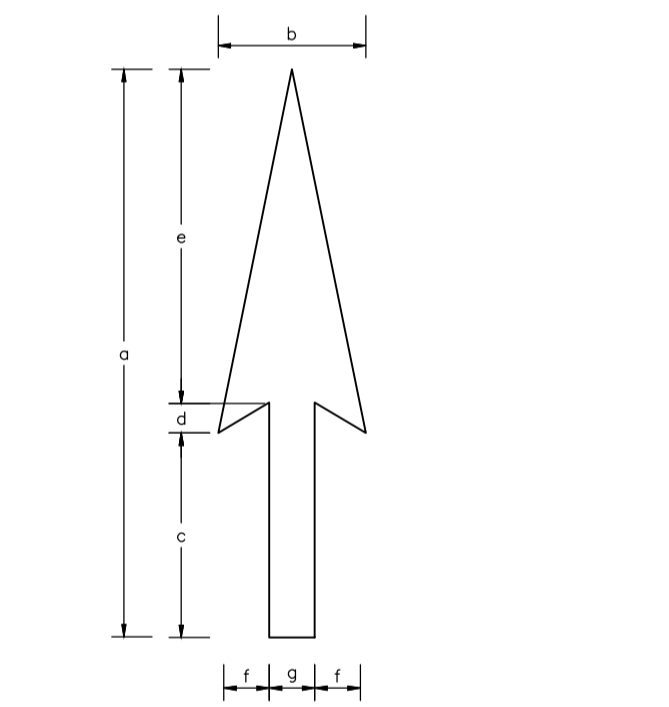
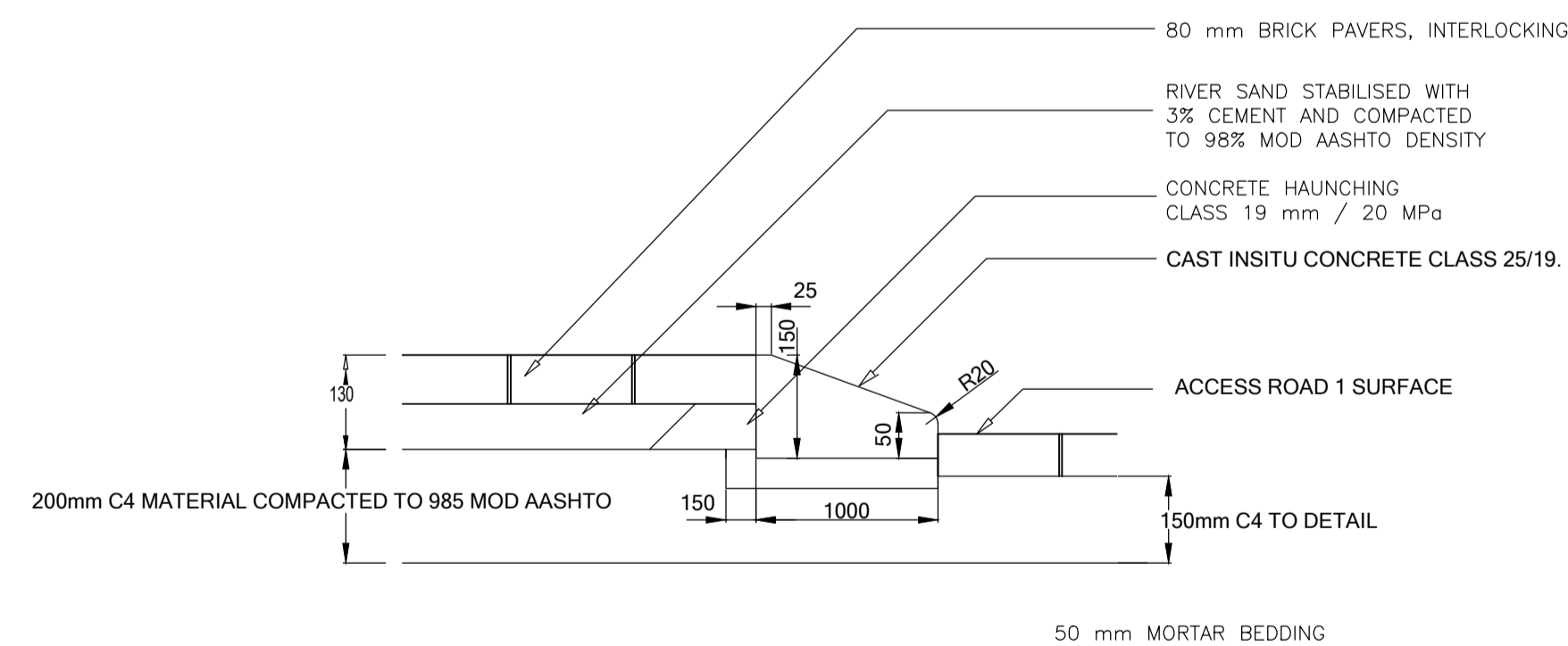


PLAN OF RAISED PEDESTRIAN CROSSING

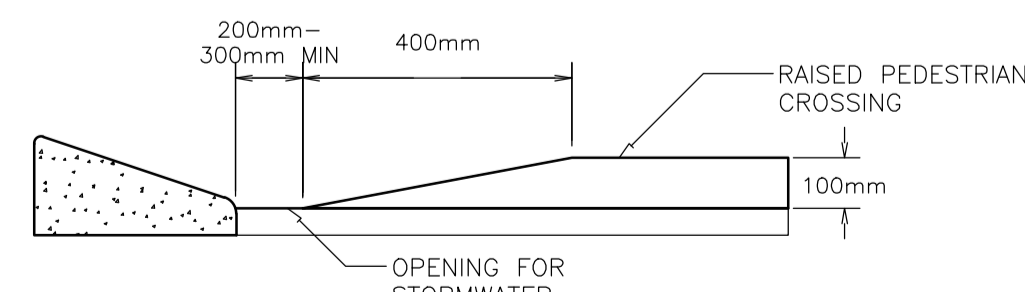


DIMENSIONS (mm)		TYPICAL APPLICATIONS									
OPERATING SPEED (km/h)		a	a'	b	c	c'	d	e	f	g	
30 - 40	CITY CENTRE	1200	2000	1200	450	400	50	750	500	200	
50 - 60	URBAN	2500	4000	1200	800	800	100	1500	500	200	

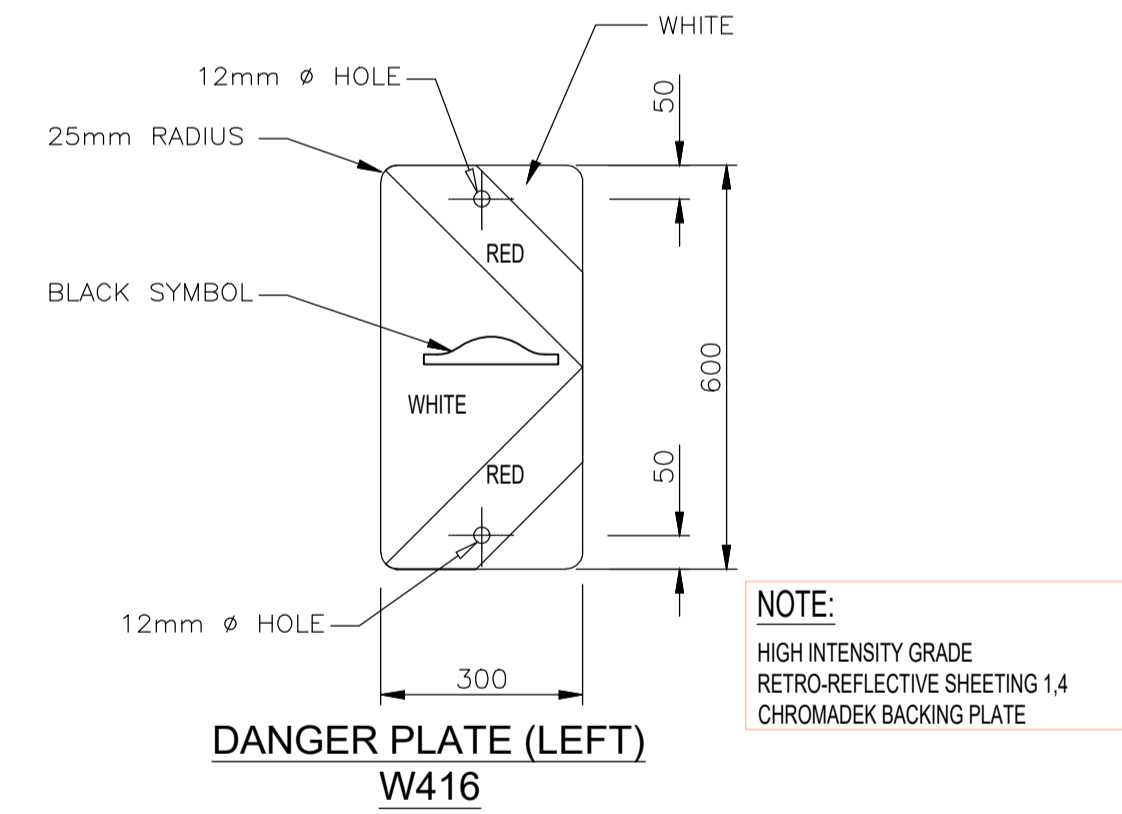
DETAIL OF ROAD MARKING



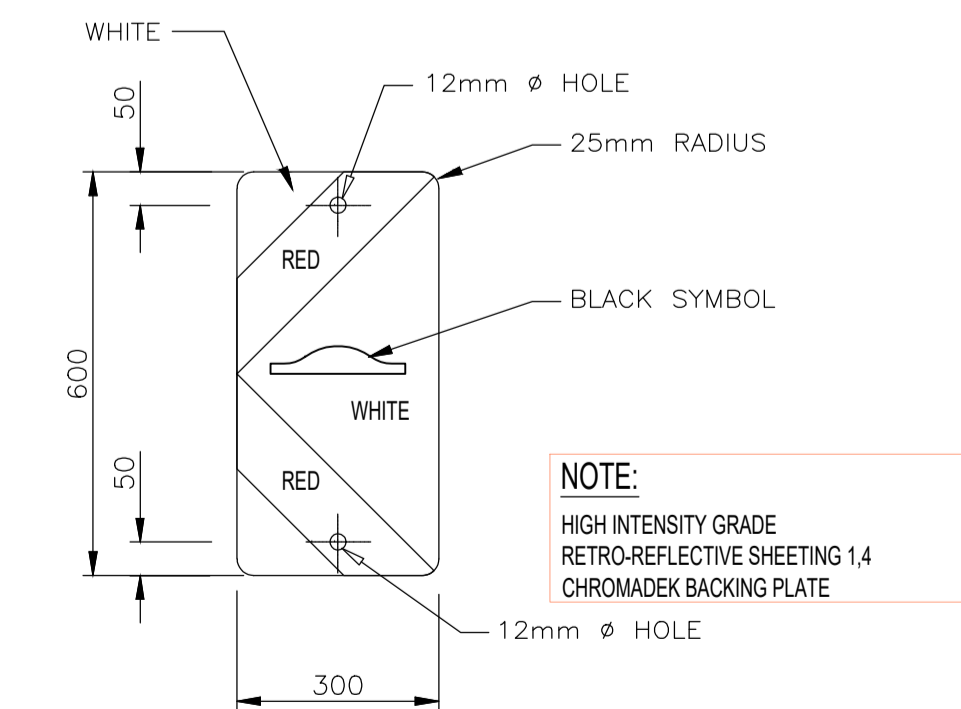
SECTION B-B  
CONSTRUCTION DETAIL OF SPEED HUMP



SECTION A-A  
CONSTRUCTION DETAIL OF RPC



DANGER PLATE (LEFT)  
W416



DANGER PLATE (RIGHT)  
W417

GENERAL NOTES:

- Construction method  
1. Setting out of hump - few days before construction.  
2. Saw cuts 1 to 2 days before construction.

- Roadmarkings  
1. All new road markings in thermoplastic  
2. Saw cuts 1 to 2 days before construction.

Colour	Paint application rate (mm)
White	1.2
Yellow	1.2



REV.	DATE	DESCRIPTION	BY
TD	06/04/2021	ISSUED FOR TENDER	NM

REVISIONS

CONSULTANT:

**ADI**  
(PTY) LTD  
BLOCK A 26 VICTORIA LINK  
ROUTE 21 CORPORATE PARK, IRENE,  
CENTURION  
0062, PRETORIA

T: 086 167 6648 E: adi@adiengineering.co.za W: www.adiengineering.co.za

CLIENT:

**TOURISM KWAZULU NATAL**

**South Africa**  
KWAZULU-NATAL  
Zulu Kingdom: **Exceptional**

PROJECT:

**NELSON MANDELA  
CAPTURE SITE**

PROJECT STATUS:

**TENDER**

APPROVED  
THE MASTER HELD AT ADI ENGINEERING  
BEARS THE ORIGINAL SIGNATURE OF APPROVAL

ECSA NO: \_\_\_\_\_

SIGNATURE: \_\_\_\_\_ NAME: \_\_\_\_\_ DATE: \_\_\_\_\_

DRAWING TITLE:

**TYPICAL SPEED HUMP AND ROAD MARKING  
DETAIL**

DRAWING UNITS: MILLIMETER

DATE: 06/04/2021 SCALE: AS SHOWN DESIGNED BY: T. NEZANDONYI

CHECKED BY: D. GWANGWADZA DRAWN BY: N. MASHEGO APPROVED BY: T. NEZANDONYI

DRAWING NO: **P1808 - CIV - 200 - 11** REV: **TD**