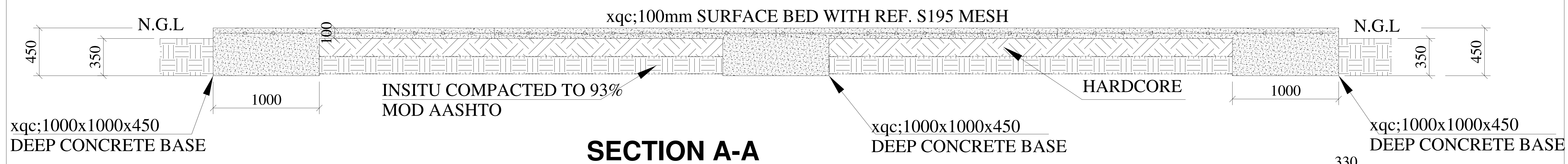
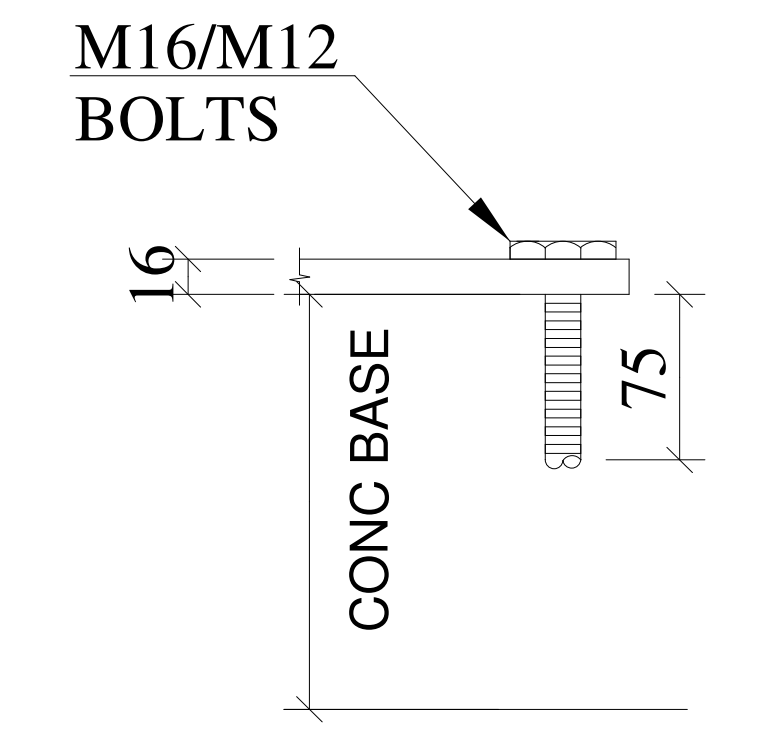


NOTES

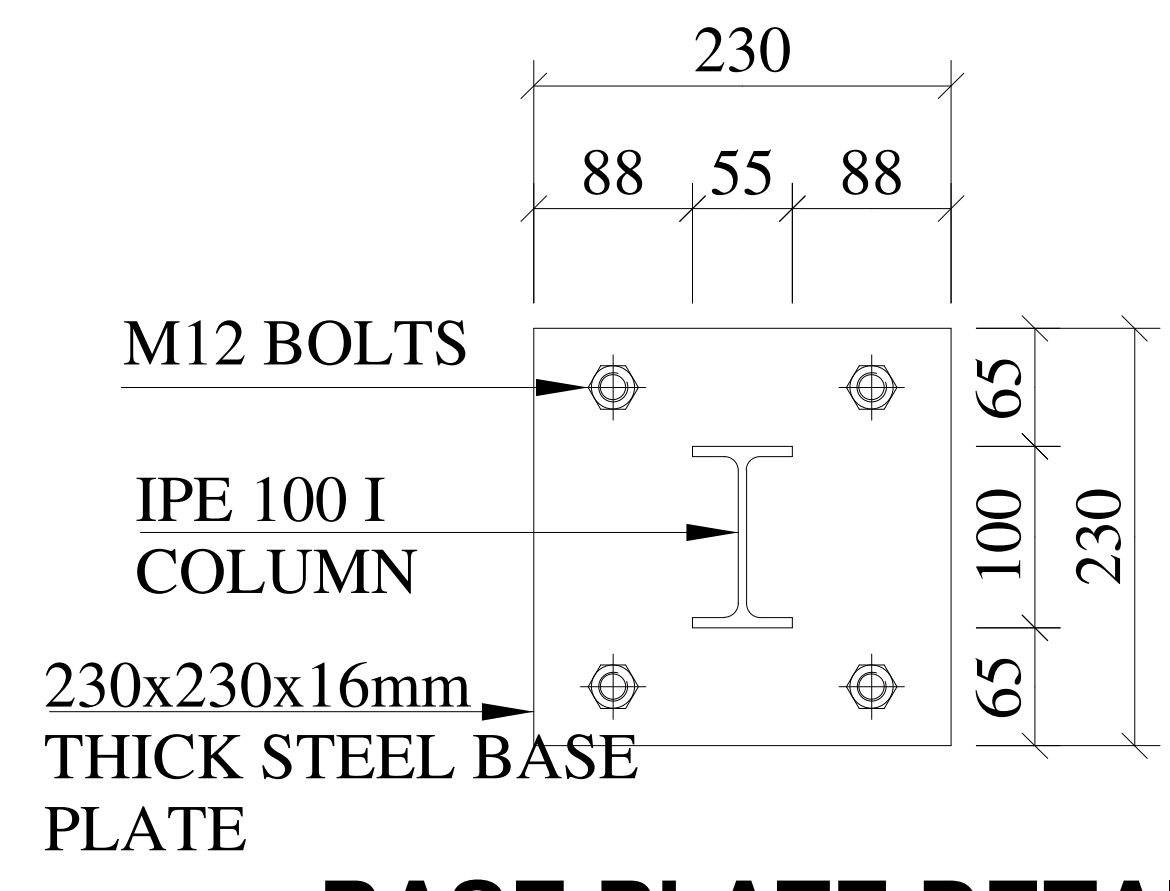
- 1 ALL LEVELS AND DIMENSIONS TO BE CHECKED PRIOR TO COMMENCEMENT OF ANY WORK. ANY DISCREPANCIES ARE TO BE QUERIED WITH THE ENGINEER
- 2 ALL WORKMANSHIP TO BE IN ACCORDANCE WITH SANS 1200 AND THE RELEVANT PROJECT SPECIFICATION AS INCLUDED IN THE CONTRACT DOCUMENT.
- 3 ALL EXISTING SERVICES TO BE LOCATED AND IDENTIFIED BY THE CONTRACTOR PRIOR TO COMMENCEMENT OF WORK.
- 4 ALL BANK GRADES ARE INDICATED.
- 5 BENCHING IS REQUIRED FOR FILL ON GROUNDS STEEPER THAN 1:6.
- 6 COMPACTION
 - A. GROUND SURFACE BELOW PRISM TO BE COMPACTED TO A MINIMUM OF 93% MOD AASHTO AT G.M.C.
 - B. FILL TO BE PLACED IN MAXIMUM 250mm LAYERS AND COMPACTED TO MINIMUM 93% MOD. AASHTO.
 - C. BOULDERS AND LARGE ROCK FRAGMENTS NOT TO BE PLACED WITHIN THE FILL AREAS OF THE PROPOSED BUILDING.
 - D. SURPLUS MATERIAL TO BE SPOILED OFF SITE.
- 7 FOR TYPICAL DETAILS REFER TO ETHEKWINI METRO STANDARDS.
- 8 BEDDING TO BE CLASS 'B' OR OTHERWISE INDICATED.
- 9 FOR STORMWATER STANDARD DETAILS REFER TO ETHEKWINI STANDARDS DRAWING Nos 38571.38572 AND 38573.
- 10 "Z" DENOTES BULK EARTHWORKS LEVEL.
- 11 DRAWING TO BE READ IN CONJUNCTION WITH ARCHITECTS LAYOUT.
- 12 BANK SLOPES, CUT 1:1.5 AND FILL 1:2



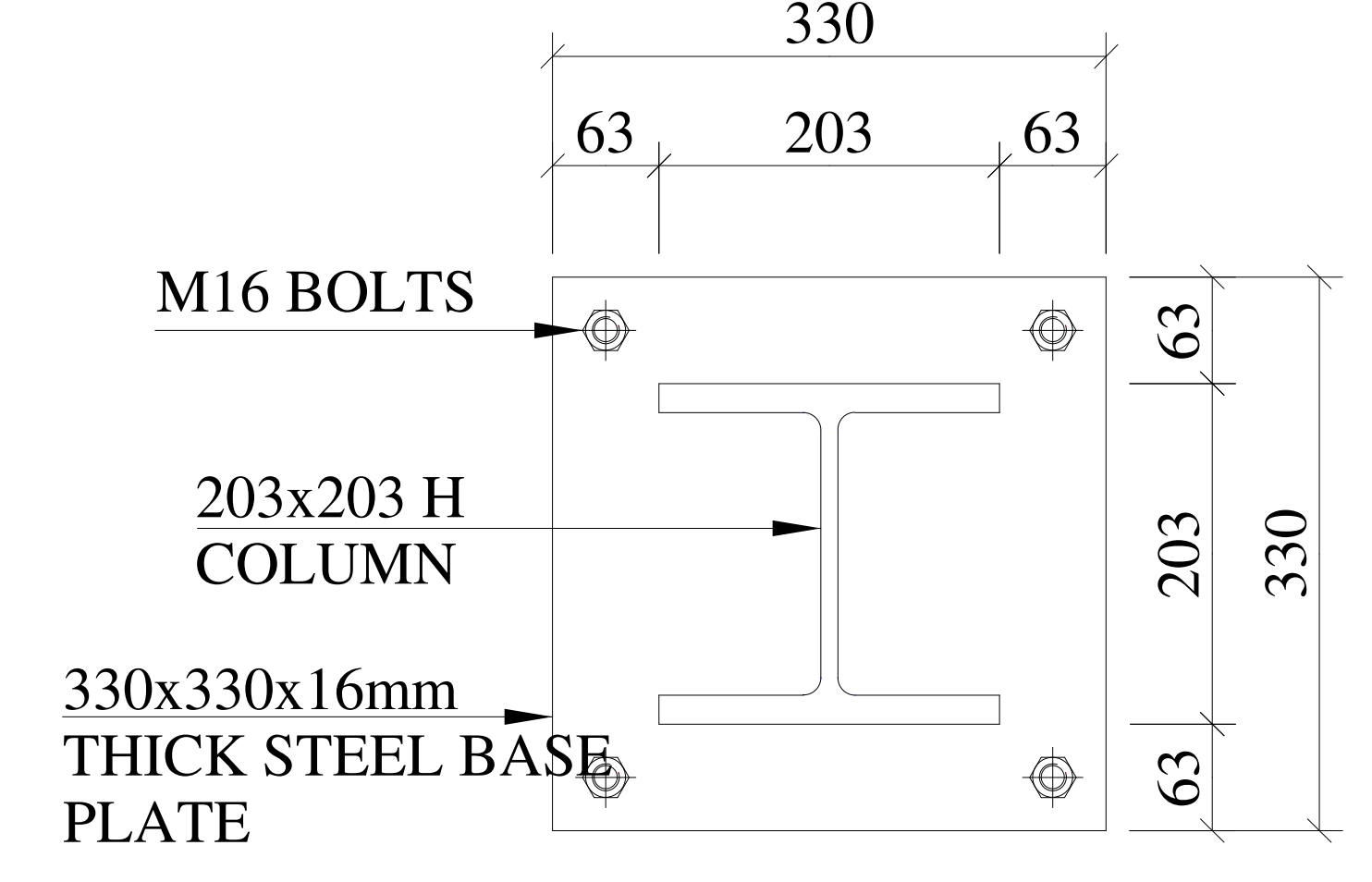
**SECTION A-A
N.T.S**



**BOLT DEPTH DETAIL
N.T.S**

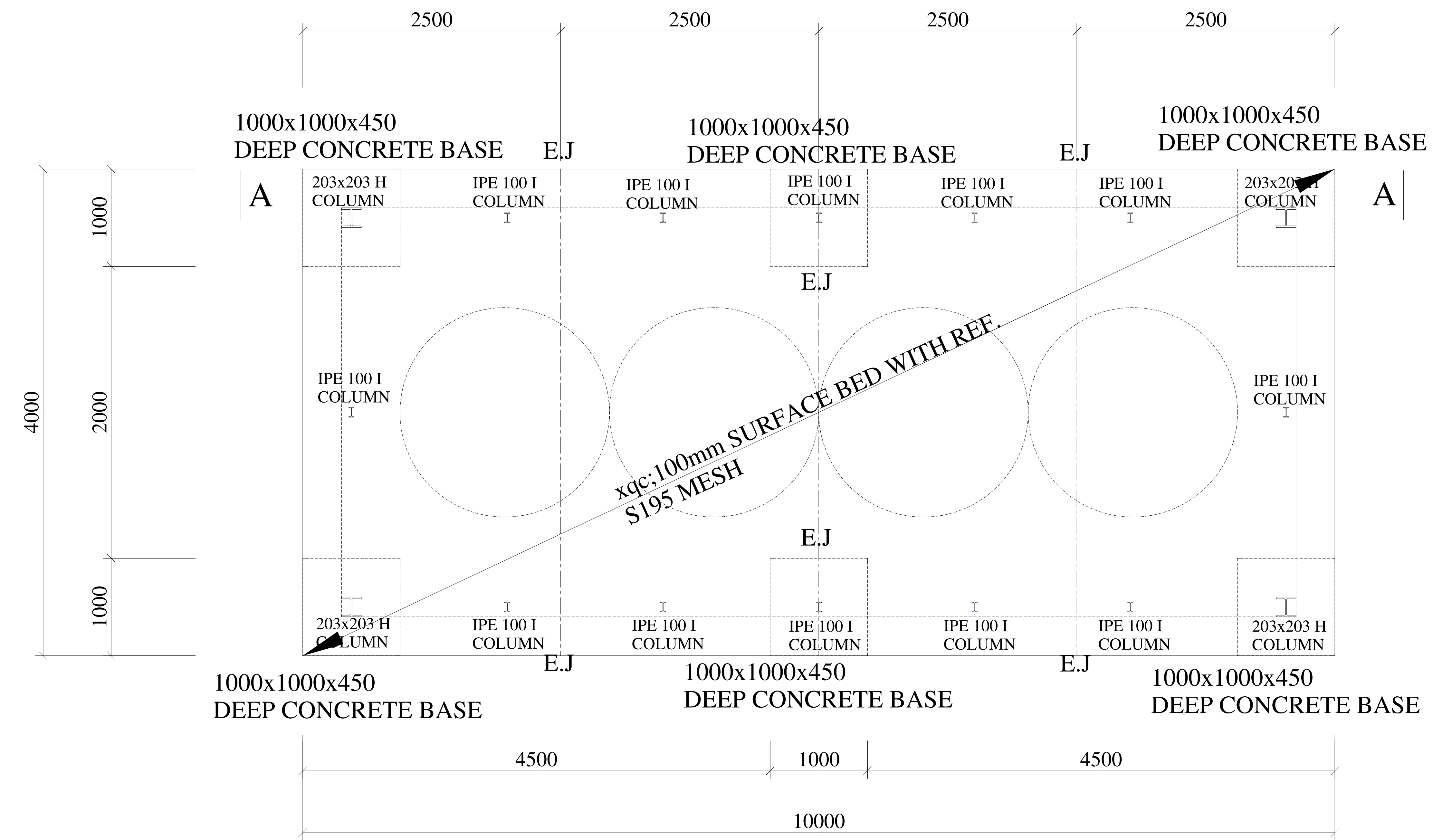


**BASE PLATE DETAIL FOR IPE 100 COLUMN
N.T.S**



**BASE PLATE DETAIL FOR 203x203 H COLUMN
N.T.S**

E.J = 10mm EXPANSION JOINT FILLED WITH POLYSULPHIDE SEALANT ON SURFACE BED.



**BASES FOR ELEVATED WATER STORAGE TANKS
SCALE 1:60**

NOTES

1. THIS DRAWING TO BE READ IN CONJUNCTION WITH THE RELEVANT ARCHITECTS AND ENGINEERS DRAWINGS.
2. APPLICABLE STANDARDS
 - A) DESIGN: SABS 0160 - LOADING SABS PART 2 CONCRETE
 - B) CONSTRUCTION: NATIONAL BUILDING REGULATIONS AS AMMENDED.
3. ALL EXCAVATIONS AND REINFORCEMENT TO BE INSPECTED AND APPROVED BY THE ENGINEER PRIOR TO CONCRETE CASTING.
4. CONCRETE GRADES:
 - A) BLINDING UNDER BASES- 15MPa AT 28 DAYS.
 - B) FOOTINGS, BASES AND SURFACE BED- 30MPa AT 28 DAYS
 - C) SLABS AND STAIRCASES- 30MPa AT 28 DAYS
 - D) EAVES BEAMS- 25MPa AT 28 DAYS
- 5) COVER TO REINFORCEMENT:
 - A) FOOTING - 30MM
 - B) COLUMNS - 25MM
 - C) SLABS - 30MM
 - D) BEAMS AND STAIRCASES - 25MM
- 6) ALL CONCRETE TO BE CURED FOR 6 DAYS
 - A) TOPS OF SLABS- WET CURING (ALTERNATIVE- USE CURING COMPOUND)
 - B) SIDES AND SOFFITS OF SLABS AND BEAMS- LEAVE SHUTTER IN PLACE
 - C) COLUMNS- CURING COMPOUND (RESIN BASED CURING COMPOUND APPLIED AT A RATE OF 0.45 LITRES PER SQUARE METER- REFER CSRA 7114)

0				
0				
0				
0				

REV. DESCRIPTION BY DATE APP

DRAWING STATUS:
FOR CONSTRUCTION

CLIENT: DEPARTMENT: ECONOMIC DEVELOPMENT, TOURISM AND ENVIRONMENTAL AFFAIRS (KWA XOLO CAVES)

PROJECT NAME:
KWA-XOLO CAVES

TITLE:
BASES FOR ELEVATED WATER STORAGE TANKS

D.G. NAIDOO & ASSOCIATES C.C.
 137 Francis Road
 GLENWOOD
 P.O. Box 79420
 Overport, 4057
 TEL: (031) 2056710
 FAX: (031) 2056447
 Email: design@dnaw.co.za
 CONSULTING ENGINEERS & PROJECT MANAGEMENT
 NAME: D.G. NAIDOO P. Tech (Eng.)

SIGNATURE: _____
 ESCA Reg No. 9870581

Copyright is vested in this document and no use or reproduction or duplication thereof may occur without the written consent of the author

DESIGN	DGN	SCALE	DESIGNER'S No.
DRAWN	ASR	REFER TO LAYOUT	
DATE	NOV 2022		
CHECKED	DGN	CAD FILE: 1: DGN\MLP1276	
PROJECT	AREA	DRAWING NUMBER	REV
220080	PE	BWST	0 0